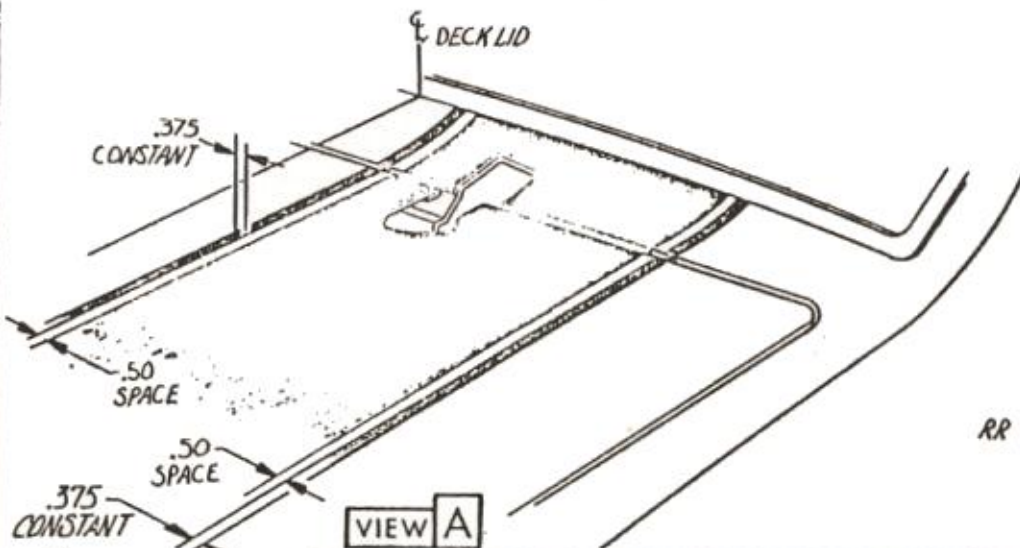
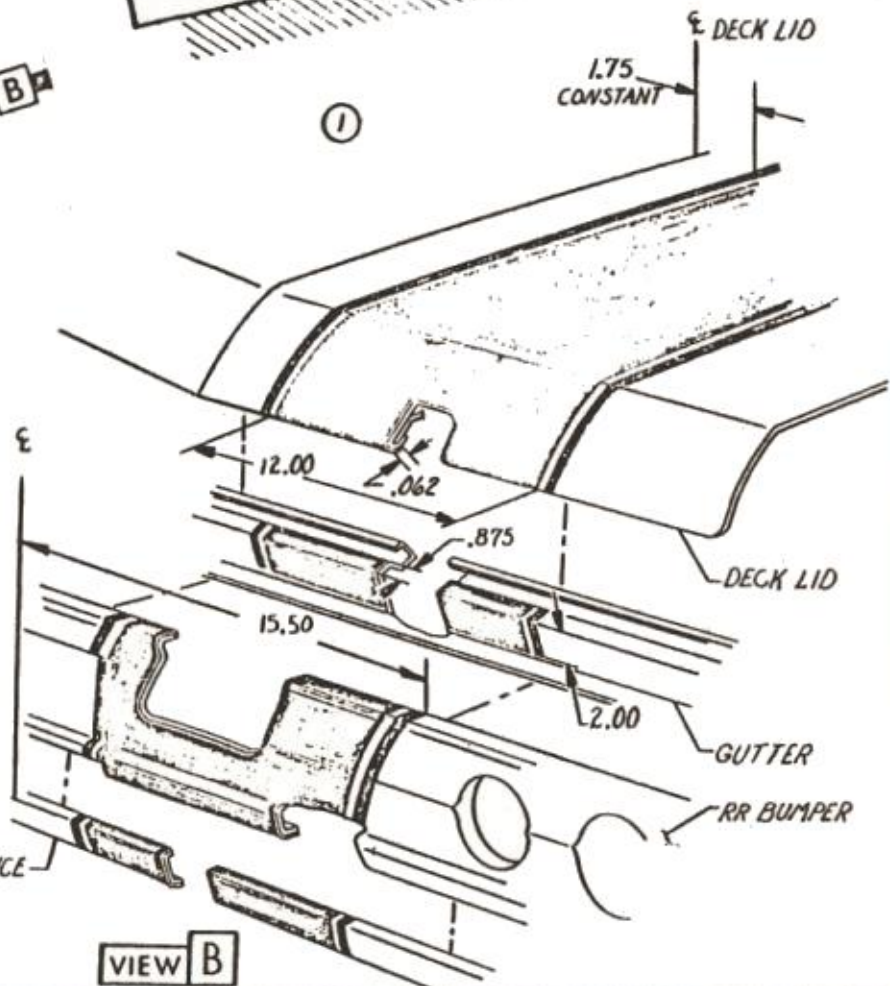


CANCELED

B

①

DECK LID
1.75
CONSTANT



VIEW A

VIEW B

- ▲
- ▲
- ▲
- ▲
- ▲

DATE		SYM	REVISION RECORD	AUTH	DR	CK	1971 CHEVROLET "A" SERIES 3975766			
6-22-70	1		CANCELLED STICKER ADDED	32765	CU	CU	DR	EN/CID	TITLE	UPC
									PAINT STRIPES	D88
							CK	3-6-70/cib		SHEET
							PREL		MODEL	2
							440	3-3-70	13637-67	
							ICR	35943		